

43F2408R-MP

【SPECIFICATIONS】

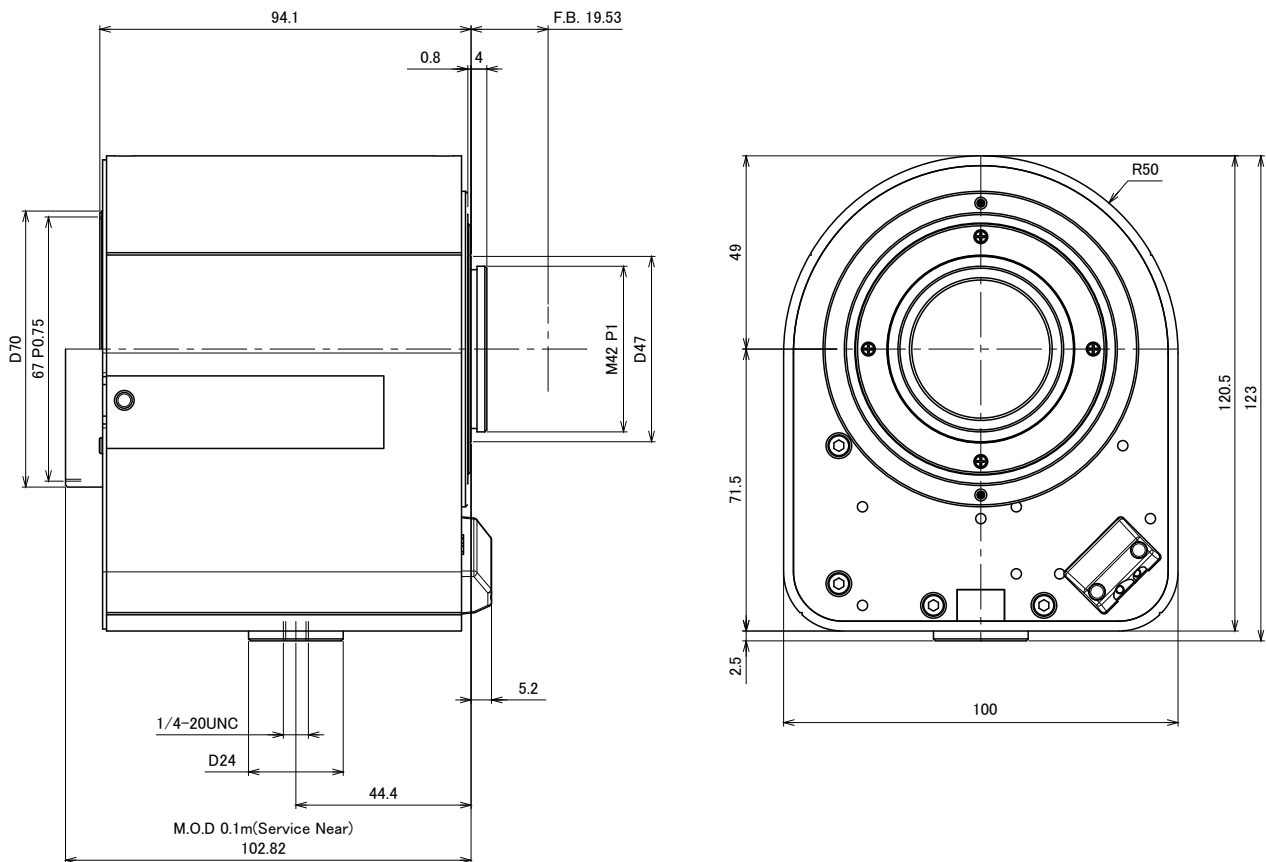
Image Size: 4/3

Focal Length :	24 mm	Frage Back :	19.53 mm (In Air)
Maximum Relative Aperture :	1:0.8	Operation:	Focus : Motorized (DC+/-6.4V , Approx.11sec)
Iris :	F0.8~16	Iris :	Motorized (DC+/-6.4V , Approx.7.4sec)
Angular Field of View :	39.3° × 30.8° (49.0°)	Operation Temperature :	-10~+50°C
Image Size :	17.3 x 13.5 mm (Φ21.9mm)	Mount :	M42 P1.0
Minimum Object Distance :	0.15 m (S.N. 0.1m)	Front Thread :	67mm P0.75
Optical Back Focal Distance :	20.08 mm (In Air)	Size,Weight :	100 x 120.5 x 94.12 mm , Approx.1500g

【COMPOSITION】

- Lens 1
- Lens Cap 1
- Dust Cap 1

【DIMENSIONS】



【CIRCUIT DIAGRAM】

